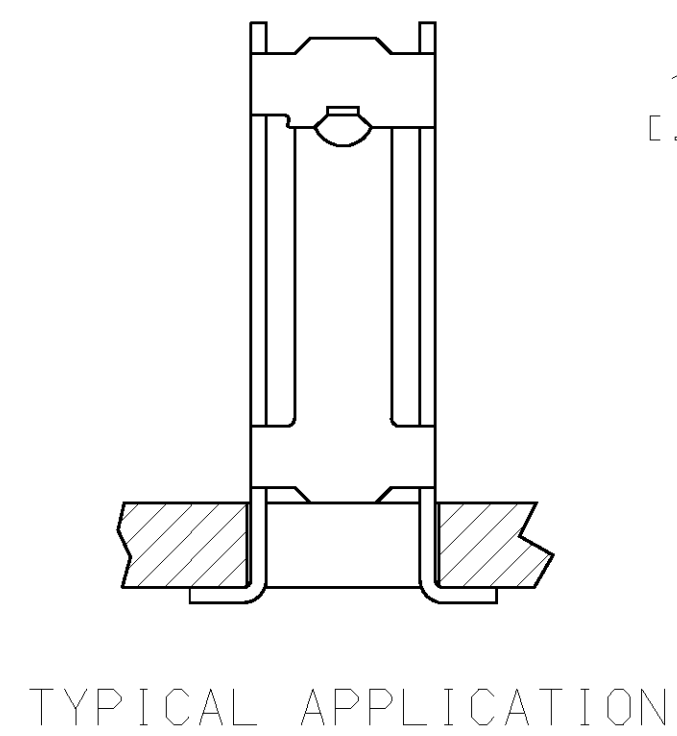
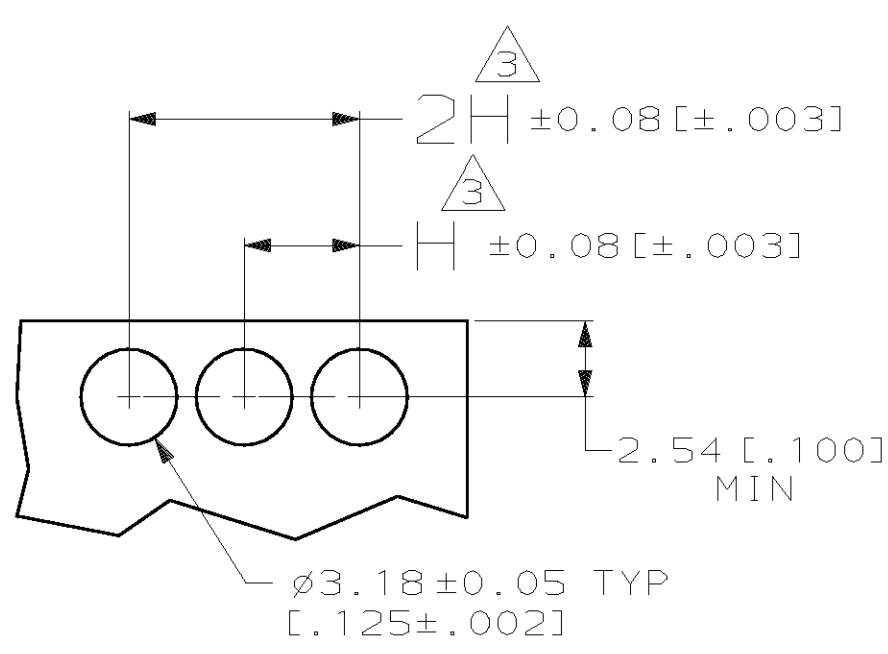
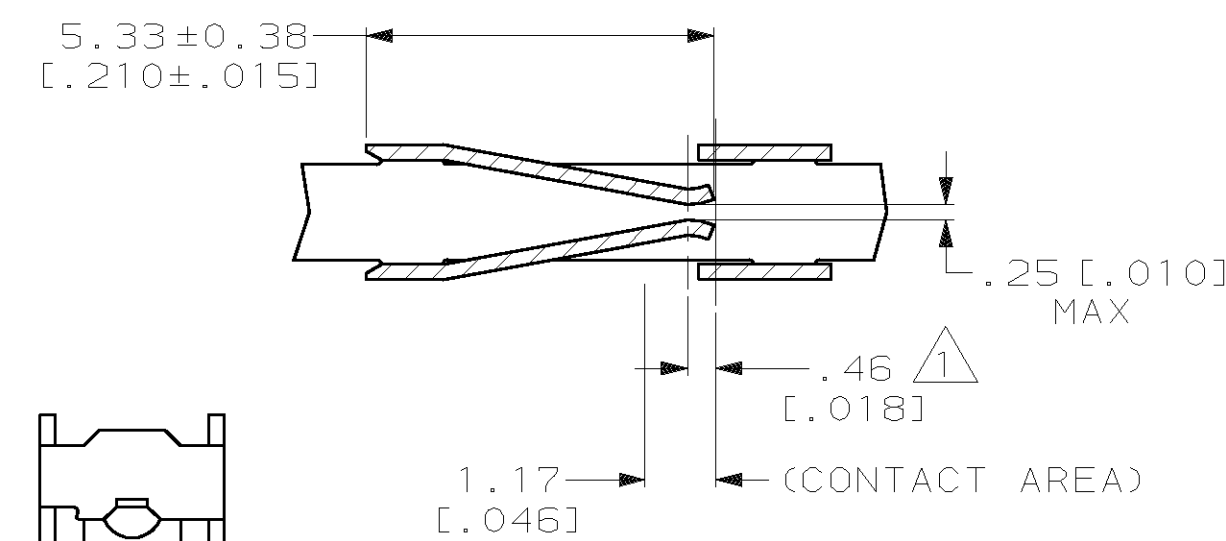
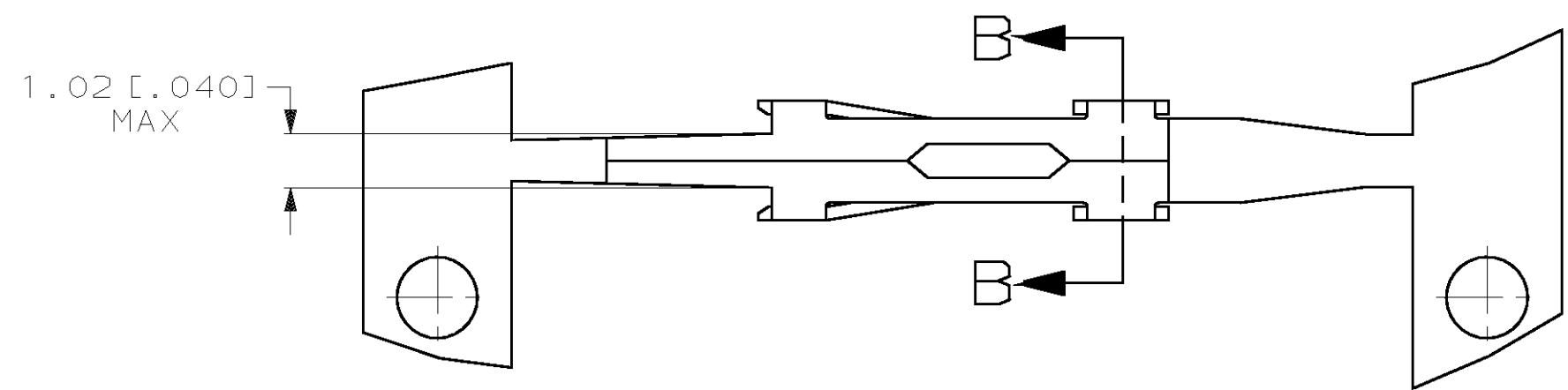
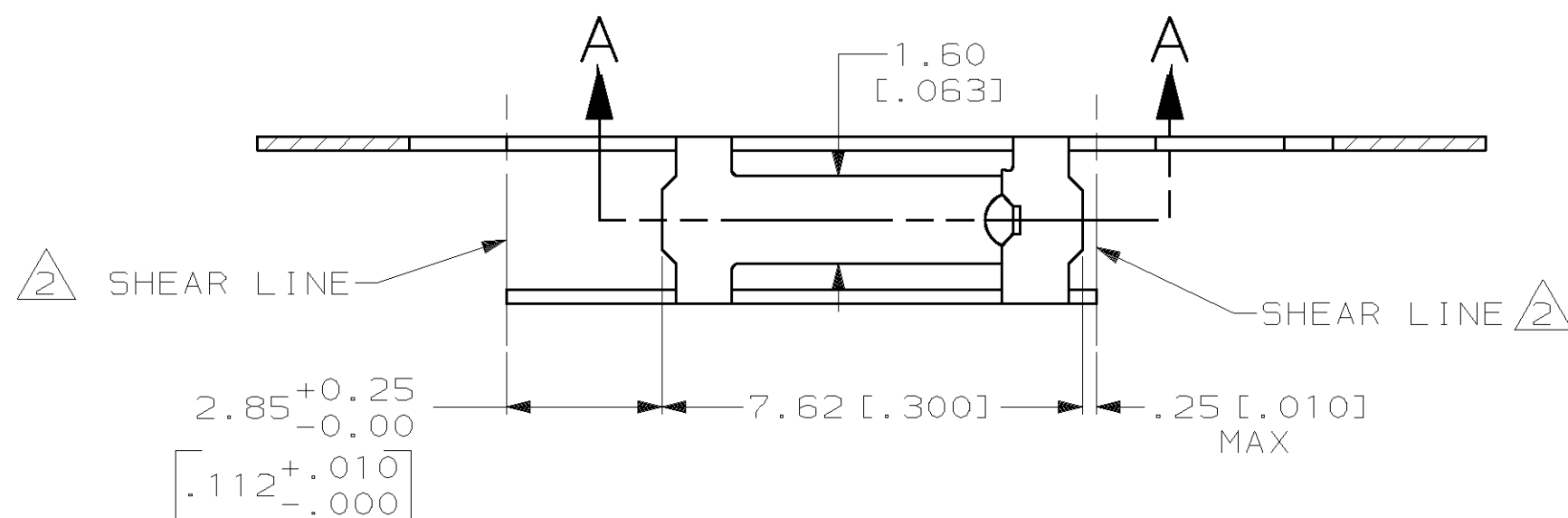
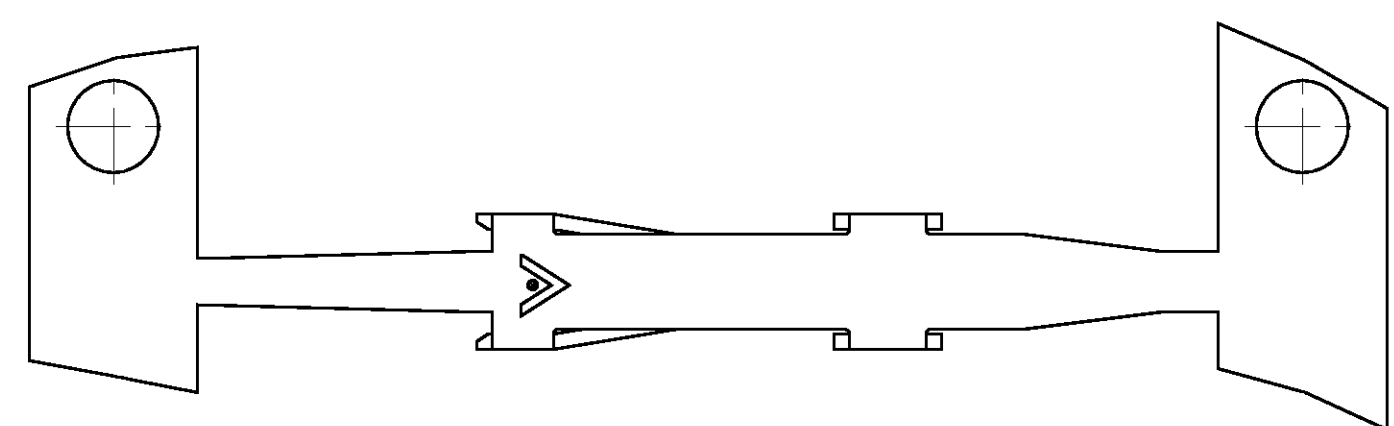
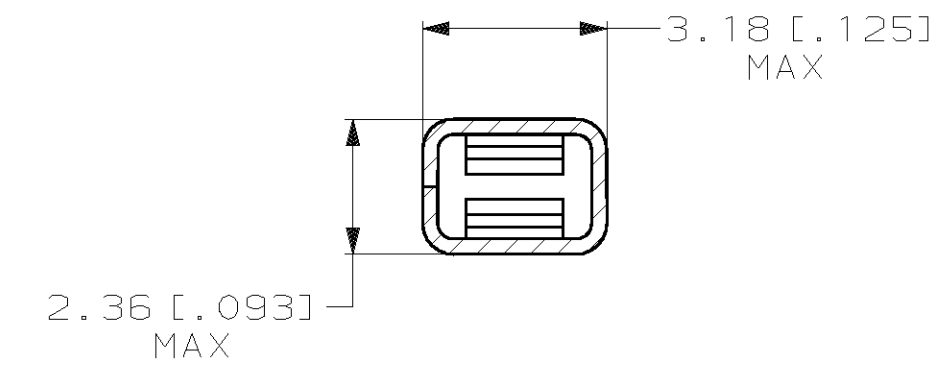


LOC		DIST		REVISIONS				
AD	39	P	F	ZONE	LTR	DESCRIPTION	DATE	APPD
					F	REV PER 0010-1175-95	12-28-96	JH
					G	REV PER 0621-0081-98	18JUL98	MC
					H	REV PER 063C-0062-00	11FEB00	MZ



- 1 POINT OF MEASUREMENT FOR PLATING THICKNESS (INSIDE BEAMS).
- 2 SHEAR LINES DEFINE LOOSE PIECE PART.
- 3 "H" RECEPTACLE CENTERS MAY VARY DEPENDING ON REQUIREMENTS. MINIMUM NOMINAL CENTER SPACING BETWEEN ADJACENT RECEPTACLES IS 3.81±0.08 [.150±.003].
- 4 GOLD FLASH OVER 0.00127 [.000050] NICKEL ENTIRE TERMINAL, 0.00038 [.000015] GOLD ON CONTACT AREA ONLY.
- 5 GOLD FLASH OVER 0.00127 [.000050] NICKEL ENTIRE TERMINAL, 0.00076 [.000030] GOLD ON CONTACT AREA ONLY.
- 6 0.00127 [.000050] GOLD OVER 0.00127 [.000050] NICKEL ENTIRE TERMINAL.
- 7 0.00076 [.000030] GOLD OVER 0.00127 [.000050] NICKEL ENTIRE TERMINAL.
- 8 0.00038 [.000015] GOLD ON CONTACT AREA, 0.00254-0.00508 [.000100-.000200] BRIGHT TIN-LEAD ON TERMINATION AREA, ALL OVER 0.00127 [.000050] NICKEL ENTIRE TERMINAL.
- 9 0.00076 [.000030] GOLD ON CONTACT AREA, 0.00254-0.00508 [.000100-.000200] BRIGHT TIN-LEAD ON TERMINATION AREA, ALL OVER 0.00127 [.000050] NICKEL ENTIRE TERMINAL.
- 10 0.00200 [.000079] MIN TIN.



	MINIATURE				
		-	10		1-86477-1
OBSOLETE	MINIATURE	86480-7	9		1-86477-0
OBSOLETE	MINIATURE	86480-6	8		86477-9
	MINIATURE	86480-5	7		86477-8
		-	-		-
OBSOLETE	MINIATURE	86480-4	6		86477-6
		-	-		-
	MINIATURE	86480-3	10		86477-3
	MINIATURE	86480-2	5		86477-2
OBSOLETE	MINIATURE	86480-1	4		86477-1
	REELED FOR APPLICATOR	LOOSE PIECE PART NO	FINISH		PART NUMBER
					PART NO

DO NOT SCALE PRINT. UNLESS SPECIFIED DIMENSIONS IN mm [INCHES] TOLERANCES ON: 2 PLC DEC ± - 3 PLC DEC ± 0.13 [.005] ANGLES ± -	DR 12-28-96 E. BRANDBERG	AMP Incorporated Harrisburg, PA 17105-3608
	CHK 12-28-96 J. HERRINGTON	
MATERIAL PHOS BRONZE	APPD 12-28-96 J. HERRINGTON	NAME RECEPTACLE, MOD I STANDARD PRESSURE, TYPE A
FINISH SEE TABLE	APPD 12-28-96 D. TROUT	SIZE C 00779
	PRODUCT SPEC -	DRAWING NO C=86477
	APPLICATION SPEC -	SCALE 8:1
	WEIGHT -	SHEET 1 OF 1

THIS DRAWING IS A CONTROLLED DOCUMENT FOR AMP INCORPORATED. IT IS SUBJECT TO CHANGE AND THE CONTROLLING ENGINEERING ORGANIZATION SHOULD BE CONTACTED FOR THE LATEST REVISION.